

Member of the BPW Group



LED BOUNDARY WORK LIGHT

- Increase safety



LED Boundary Work light

- increase safety

The LED Boundary Light creates a safety perimeter around vehicles or heavy equipment using a solid, red light beam. Enhance safety measures with this compact device, easily installed to emit a powerful beam that effectively alerts pedestrians or working personal.

The lights can be angled and adjusted to delineate a desired area and, like other Ermax work lights, are made of robust and impact-resistant materials, designed for challenging environments.



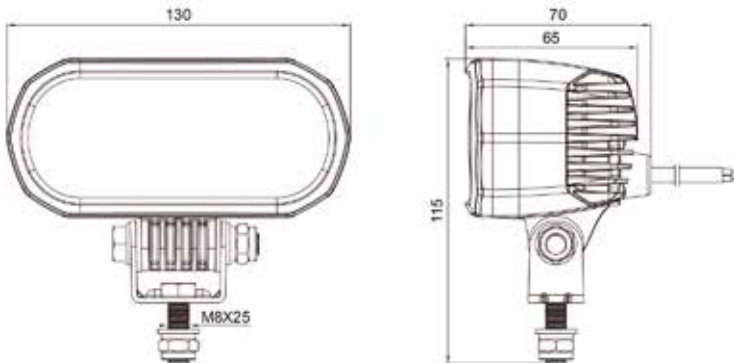
Features and benefits

- Creates a safety perimeter around the vehicle
- Increases safety in traffic when working
- Compact and robust design
- Lens of impact resistant polycarbonate
- Housing of aluminum
- Stainless steel mounting bracket
- Easily installation
- Multi voltage 10-80V
- EMC approved

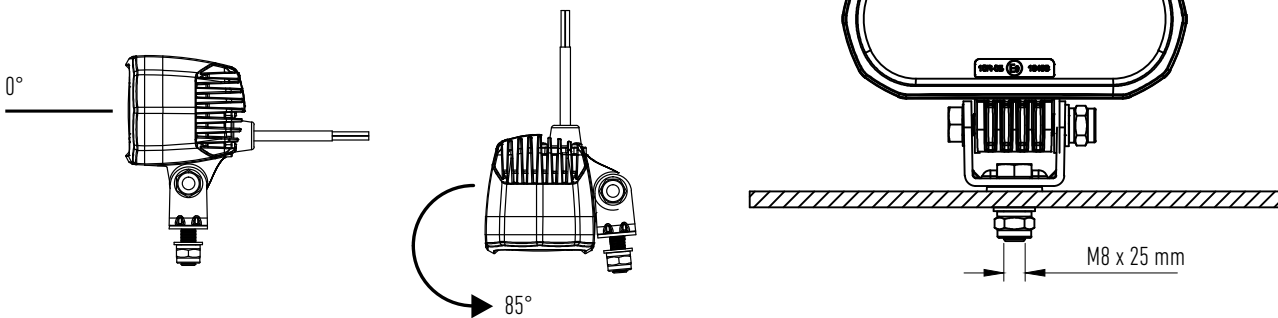


LED Boundary Work light 10/80V

Technical details



Installation height (mm)	Length (mm)	Width (mm)
1500	3700	120
2000	4800	160
3000	7000	240



Description

Lens:	Polycarbonate
Housing:	Coated aluminium
LED color:	Red
Mounting bolt:	M8 / 25 mm
Bracket:	Stainless steel
Working temperature:	-40°C to +65°C
IP Rating:	IP67

Applications

- Forklifts
- Garbage Trucks
- Buses
- Car Transporters
- Delivery/distribution Vehicles
- Crane Trucks / Cranes
- Service Vehicles

3 YEAR WARRANTY EMC

Voltage	Power consumption	Connection	Cable length	Dimension W x H x D	Artikel no.
10/80V	10W	Open end	2500 mm	130 x 65 x 65 mm	098 174 010

Installation guide can be found on www.ermasonline.dk
 Check out our other range of work lights at www.ermasonline.dk/Download

Brands of the BPW Group::



Maj 2024 • Version 1.0



ERMAX A/S
Vranderupvej 2 • DK-6000 Kolding
Tel. +45 3969 6800 • www.ermax.dk